

FIGURE 5: (A) Executive Block, (B) Create Block, (C) Set Blocks, (D) Get Blocks, (E) Queue Block.

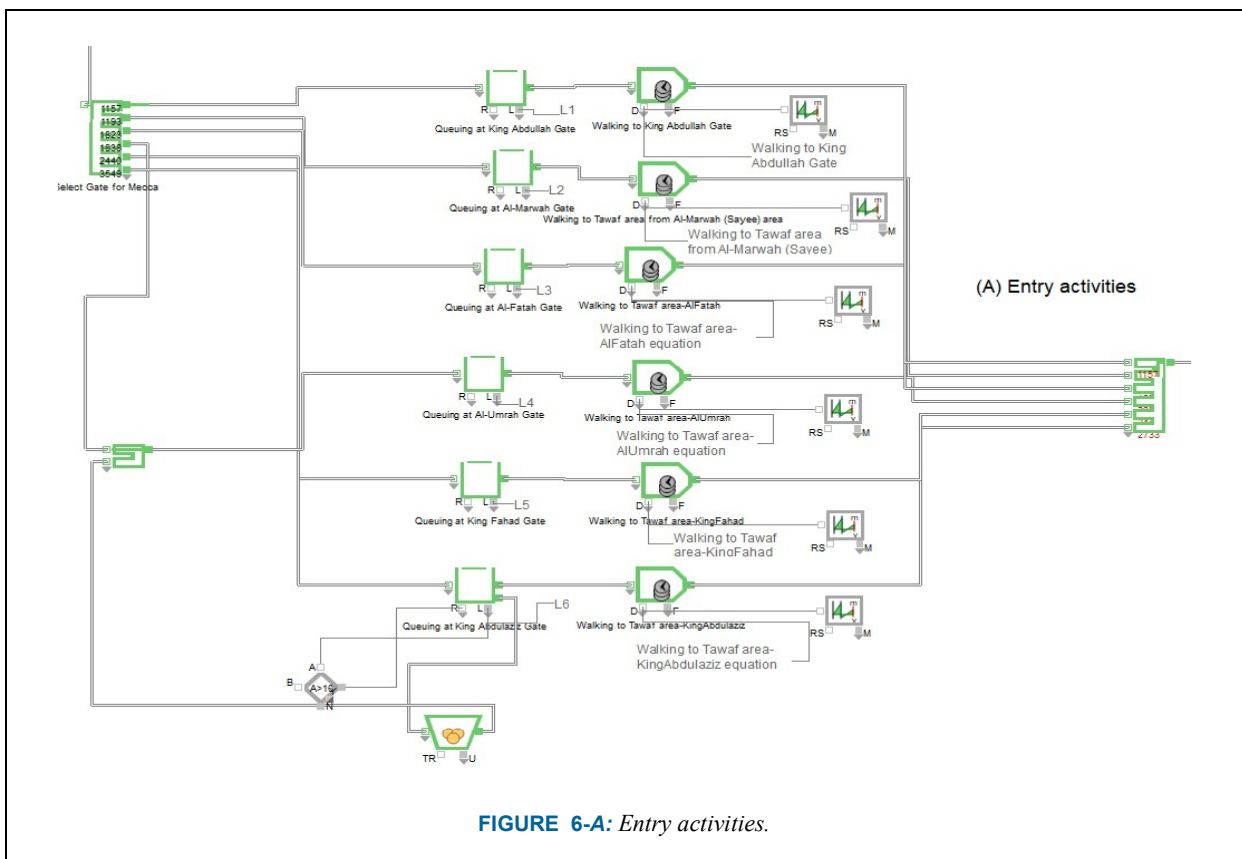
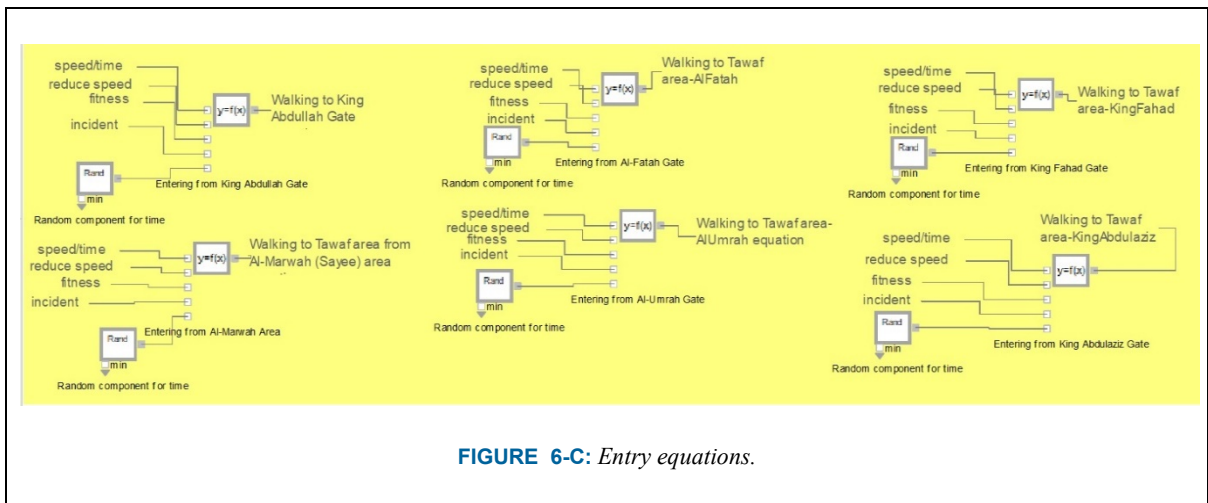
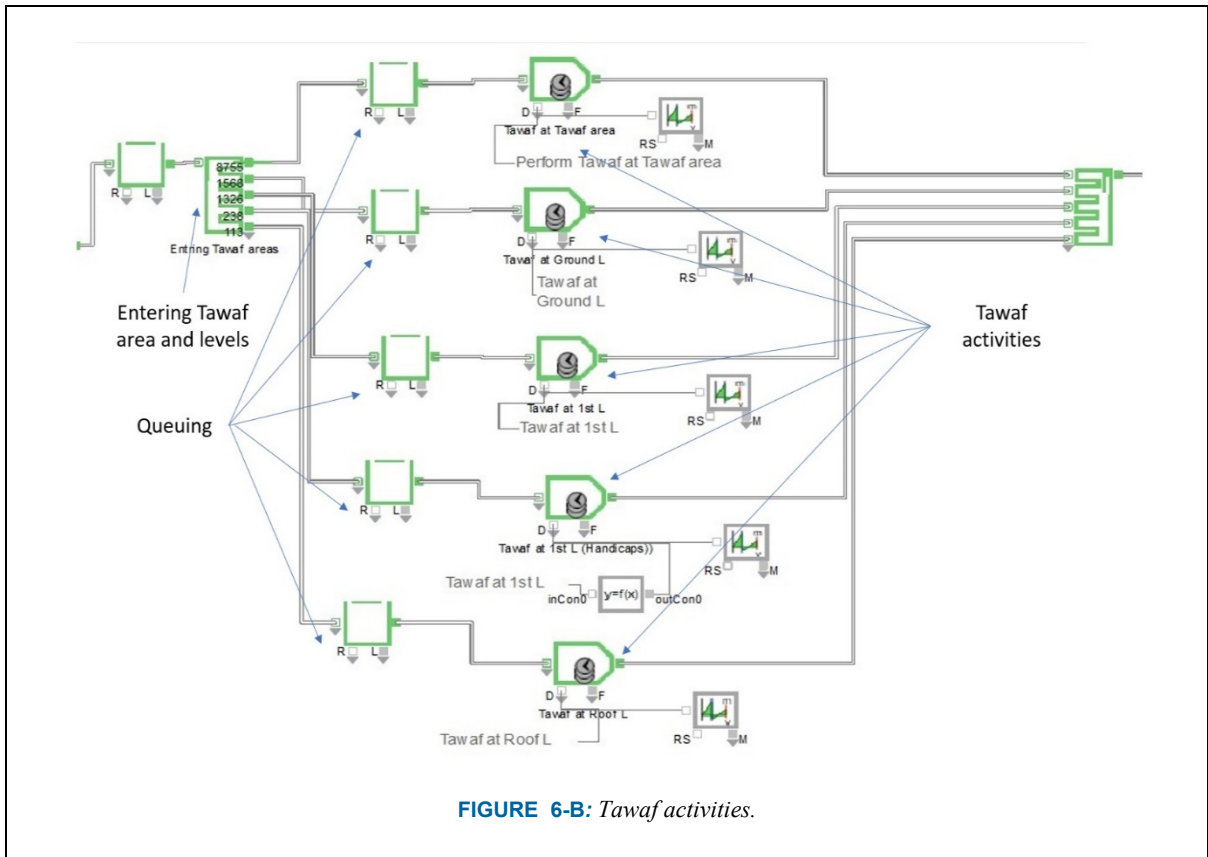


FIGURE 6-A: Entry activities.



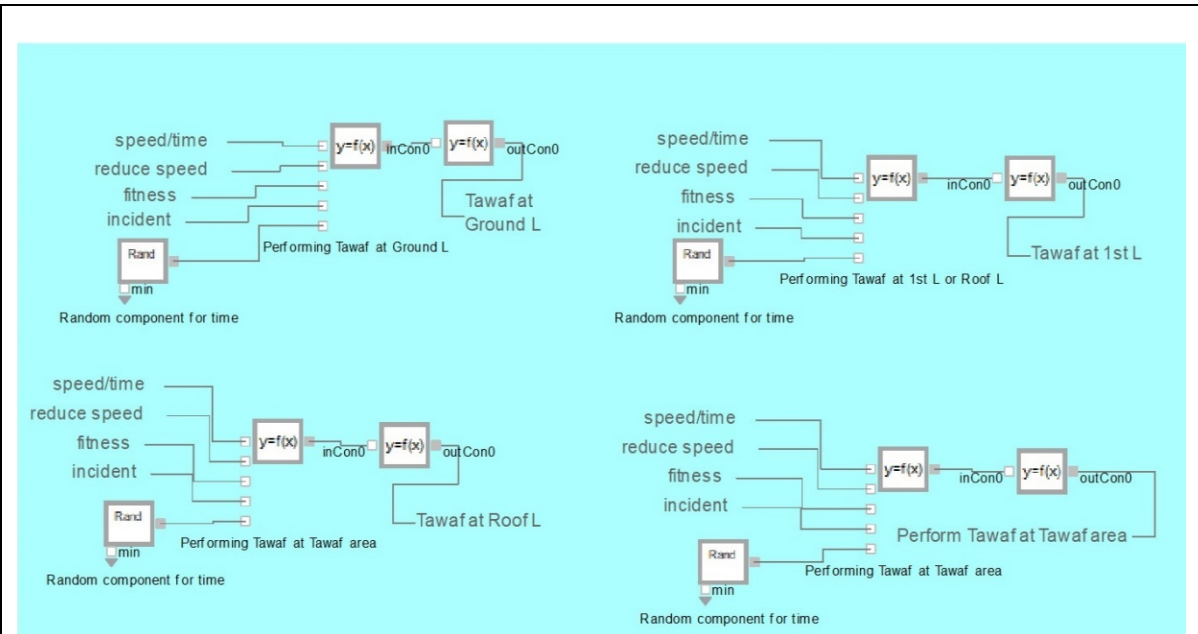


FIGURE 6-D: Tawaf equations.

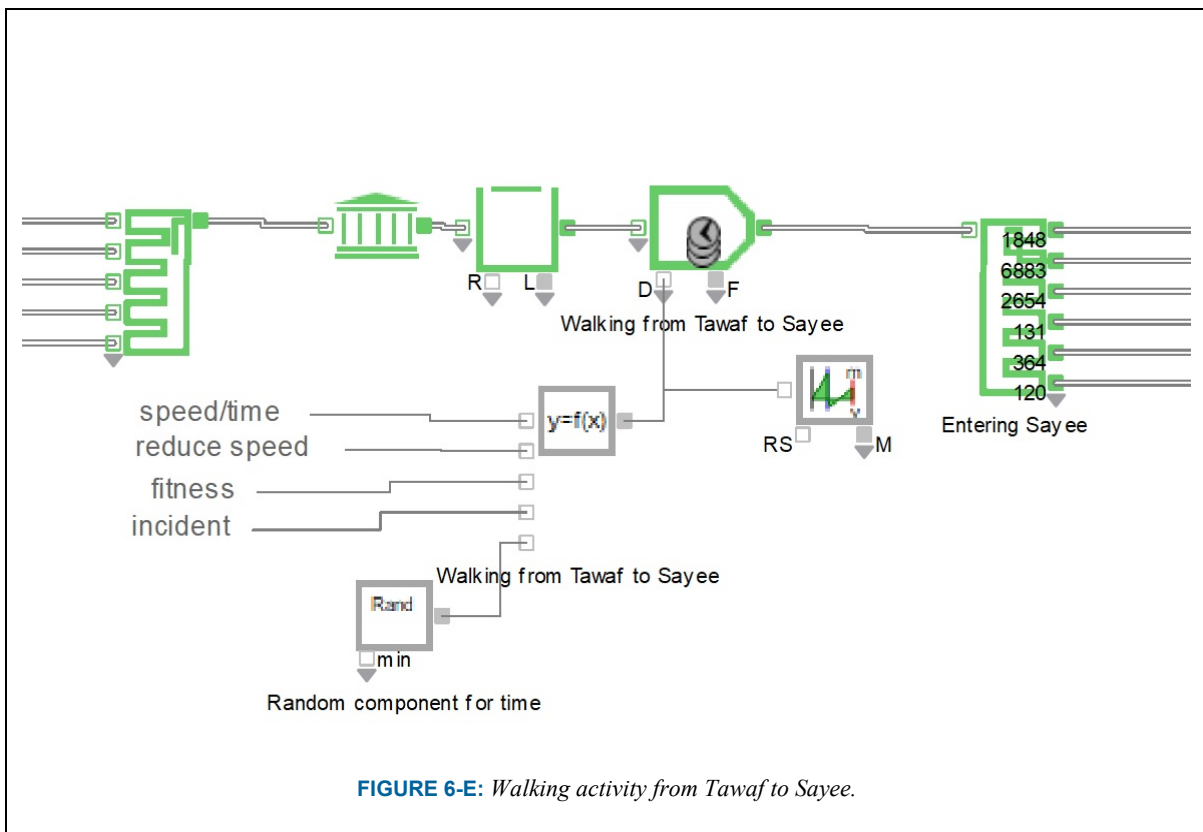


FIGURE 6-E: Walking activity from Tawaf to Sayee.

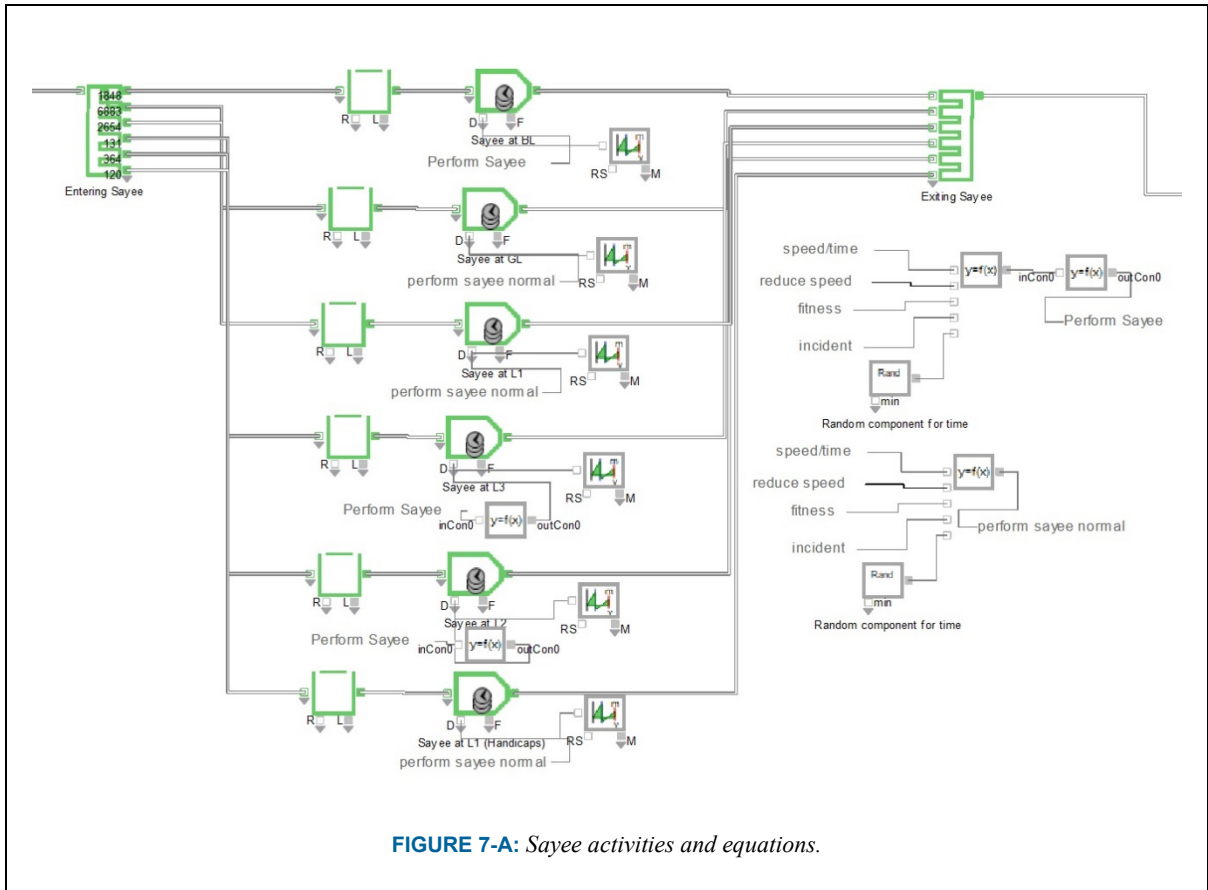


FIGURE 7-A: Sayee activities and equations.

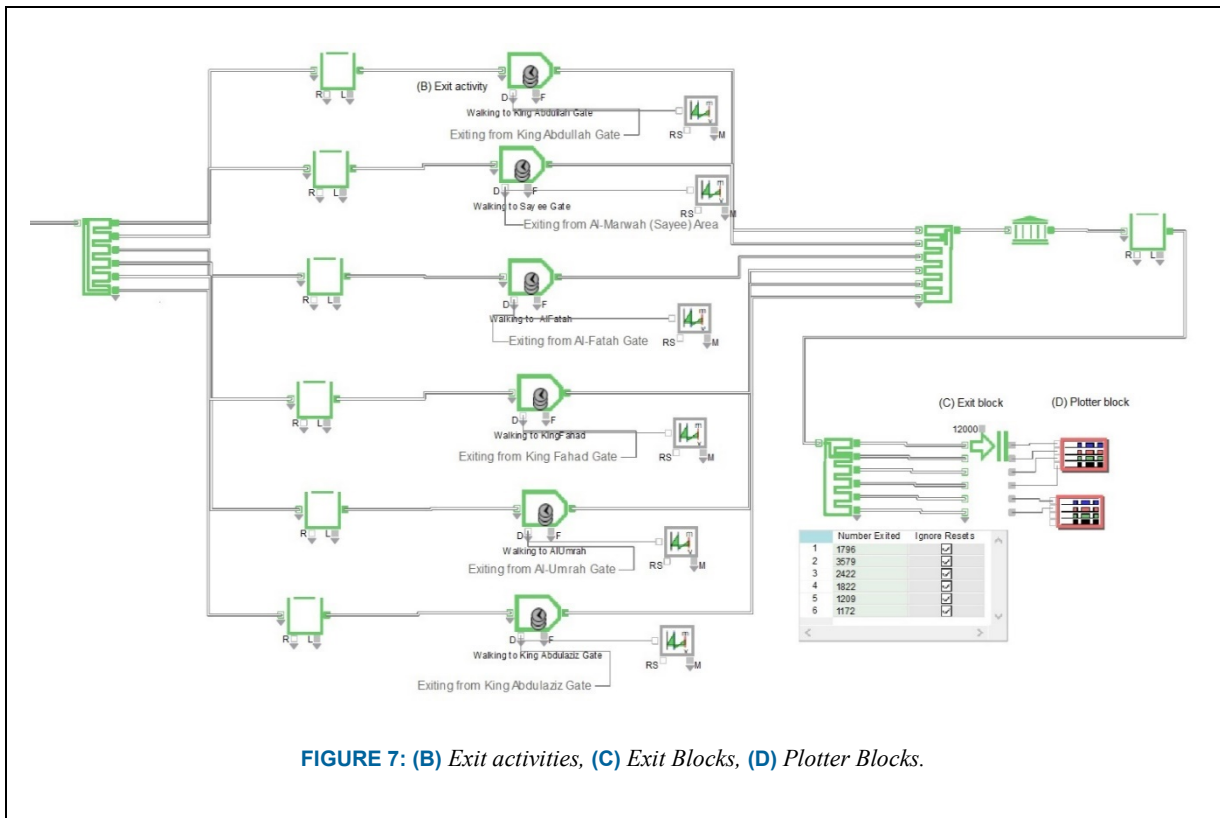


FIGURE 7: (B) Exit activities, (C) Exit Blocks, (D) Plotter Blocks.

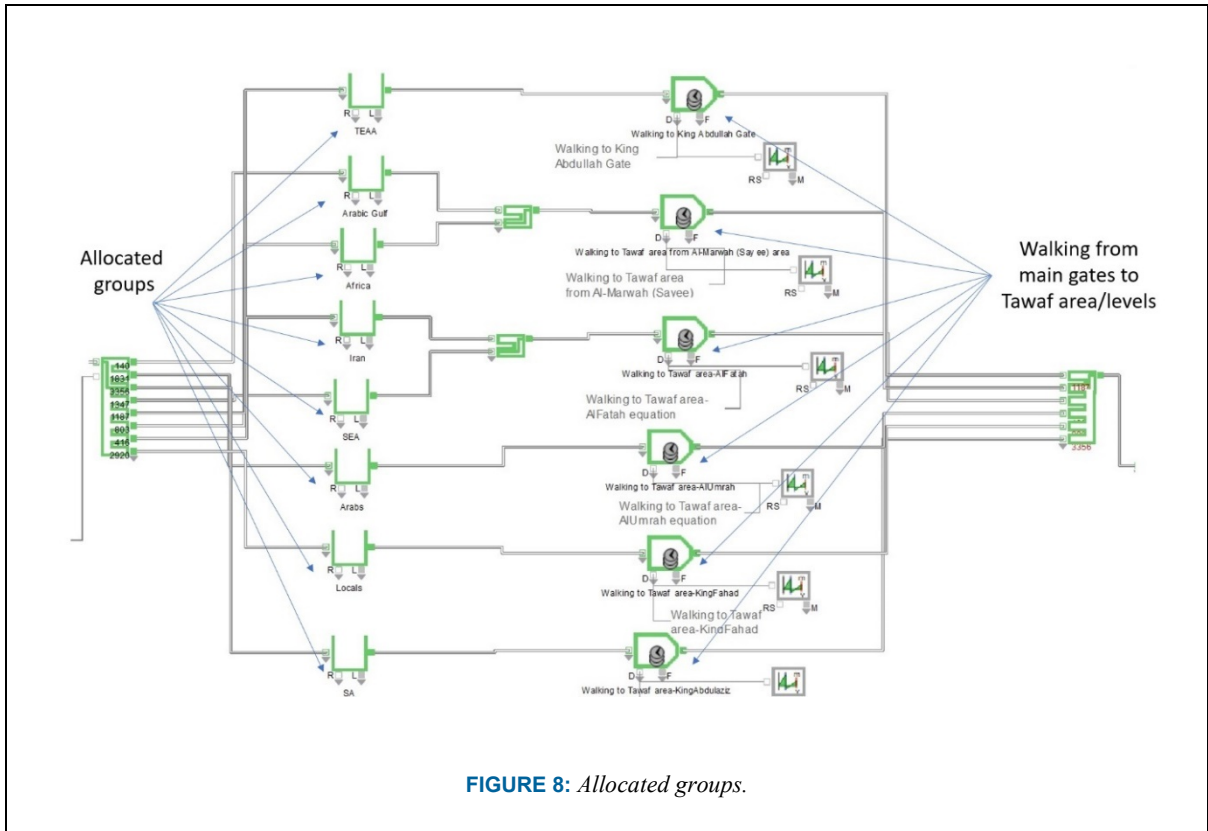


FIGURE 8: Allocated groups.

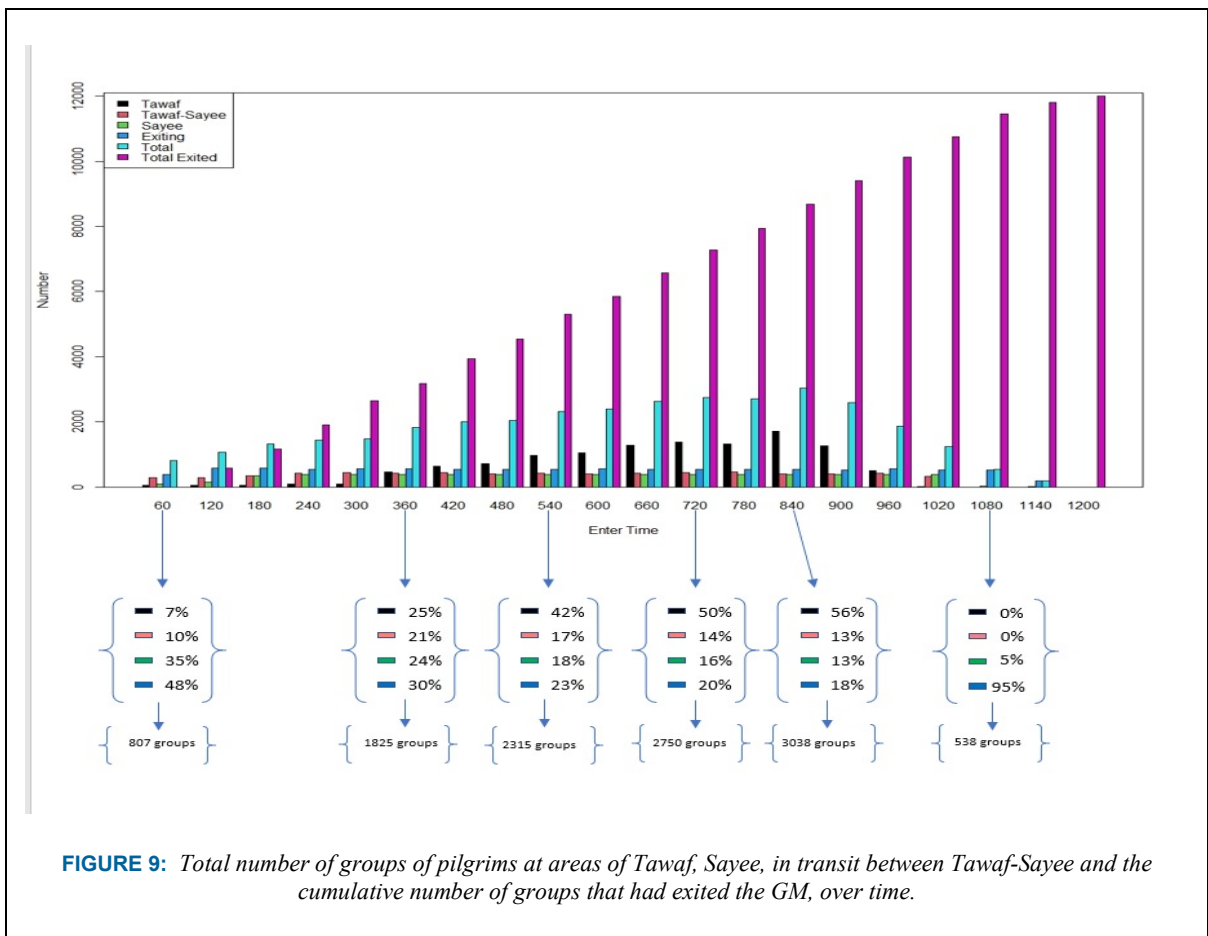


FIGURE 9: Total number of groups of pilgrims at areas of Tawaf, Sayee, in transit between Tawaf-Sayee and the cumulative number of groups that had exited the GM, over time.